

# LIFTMOORE 2550 CRANE

25,000 FT. LB. MOMENT RATING  
5,000 LB. MAXIMUM CAPACITY

Liftmoore's 2550 all hydraulic powered crane is the crane for your extended duty requirements. This model is designed for applications requiring longer duty cycles such as loading or unloading and longer lifting operations. With its 25,000 Ft. Lb. moment rating and 5,000 Lb. maximum capacity at 5 Ft. the 2550 provides the needed capacity for most field service applications.

360 degree continuous and unlimited rotation is standard on the 2550. Rotation is through a 45:1 ratio worm gear reducer driving a gear bearing slewing ring

**Optional:** Proportional controls are available for all Liftmoore hydraulic powered cranes.

- **2550X-16** Full power extension from 10 Ft to 16 Ft.
- **2550X-20** Power extension from 10 Ft to 16 Ft with a manual pull out to 20 Ft.



**Model 2550X**

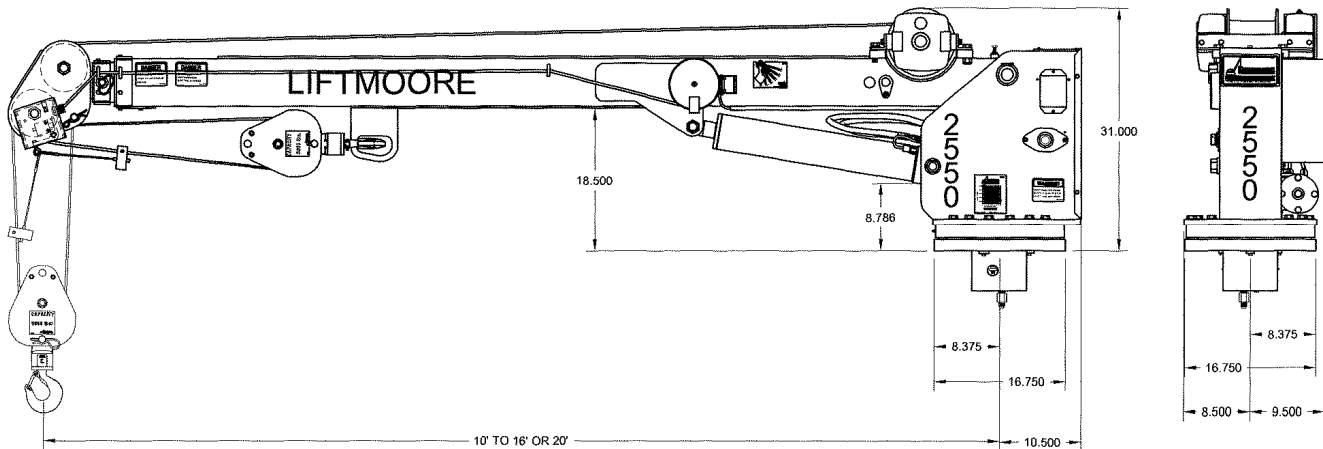
LOAD CAPACITY - LBS.		25,000 FT-LBS					
BOOM LENGTH - FT.							
	0°	15°	30°	45°	60°	75°	
10	2500	2588	2887	3536	5000	5000	
12	2083	2157	2406	2946	4167	5000	
14	1786	1849	2062	2525	3571	5000	
16	1563	1618	1804	2210	3125	5000	
18	1389	1438	1604	1964	2778	5000	
20	1250	1294	1443	1768	2500	4830	



HOUSTON, TEXAS  
 FAX: (800) 824-5559 (USA & Canada)  
 FAX: (713) 688-6324  
 PHONE: (713) 688-5533  
 www.liftmoore.com

  
 713-688-5533  
 WWW.LIFTMOORE.COM

# 2550 SPECIFICATIONS



## MOMENT RATING:

25,000 Ft.-Lbs.

## HOIST WINCH:

The winch is a worm gear design with 38:1 gear ratio. A multiple disk safety brake is installed on the worm shaft that incorporates a one way clutch that releases on winch up. The winch is powered by a low speed, high torque hydraulic motor. Single line no load speed of the winch is 20 ft. per minute at 6 GPM. Ratio between winch drum and wire rope meets ANSI B30.5 requirements.

** 5000 Lbs. @ 5 ft.	1562 Lbs. @ 16 ft.
** 3125 Lbs. @ 8 ft.	1388 Lbs. @ 18 ft.
2500 Lbs. @ 10 ft.	1250 Lbs. @ 20 ft.
2083 Lbs. @ 12 ft.	

\*\* Two part line required for loads above 3000 Lbs.

## WIRE ROPE and SHEAVES:

The crane is supplied with 80 Ft. of 5/16 in. galvanized aircraft cable. Minimum breaking strength of the rope is 9,800 lbs. The wire rope is outside of the boom and visible for operators continual inspection. A 3-ton capacity thrust bearing swivel-traveling block for easy two-part hookup is included. All sheaves meet ANSI requirements.

## BOOM:

The boom is capable of moving from -5 to +75 Degrees, elevated by a 4.00 In. bore double acting cylinder. The cylinder has an integral counterbalance valve with relief set at 2500 PSI. The counter balance valve will hold the cylinder in the event of hose failure and it controls the rate of boom decent.

Two Standard Booms as listed below

### Model 2550X-16:

The boom extends under power from 10 Ft. to 16 Ft

### Model 2550X-20:

The boom extends under power from 10 Ft. to 16 Ft. and manually from 16 Ft. to 20 Ft. with one intermediate position at 18 Ft.

## HYDRAULIC SYSTEM:

For smooth operation and minimum heat buildup a pressure compensated flow control system is used. The system will not build up pressure above the level required to operate a function. This reduces the heat buildup in the oil and the power required from the engine. Valves are in a series control circuit.

## ROTATION SYSTEM:

Rotation is 360 degrees continuous and unlimited on a gear bearing with an internal gear driven by a worm gearbox. The worm gearbox ratio is 45:1 and it is driven by a low speed, high torque hydraulic motor.

## REMOTE PENDANT CONTROL:

A 25-Ft. long remote pendant is provided for control of each powered function. The pendant control is removable from the crane to prevent unauthorized use of the crane.

The **optional proportional control** system offered for this model allows for precise handling of the load as the operator has control of the function's speed through a trigger switch mounted in the pendant control.

## LOAD SENSOR

A load-limiting sensor is installed in the elevation cylinder. This sensor will shut down hoist up, boom out and boom down when an overload is detected. The sensor will reset after the load is lowered.

## ELECTRICAL:

The 2550 crane's powered functions are all controlled by 12V DC. electric solenoid valves. 25Ft. of 10 gauge wire and a 15 Amp fuse are included.

## ANTI TWO-BLOCK:

The anti two-block is standard on this crane and prevents extending the boom against the travel block with possible breakage of the cable

## MOUNTING:

It is recommended that this unit be mounted on an 11,000-Lb or larger GVWR chassis. Four 7/8" Grade 8 bolts are required. Bolts are not furnished. Mounting plate is 16-3/4" square with a 14-3/4" square bolt pattern.

## ACCESSORIES:

An outrigger is needed for stability requirements of OSHA 1910.180. The outrigger is necessary to reduce the load on the crane's rotation assembly and the truck's suspension. A Boom



HOUSTON, TEXAS  
 FAX: (800) 824-5559 (USA & Canada)  
 FAX: (713) 688-6324  
 PHONE: (713) 688-5533  
 www.liftmoore.com