

# LIFTMOORE 5080 CRANE

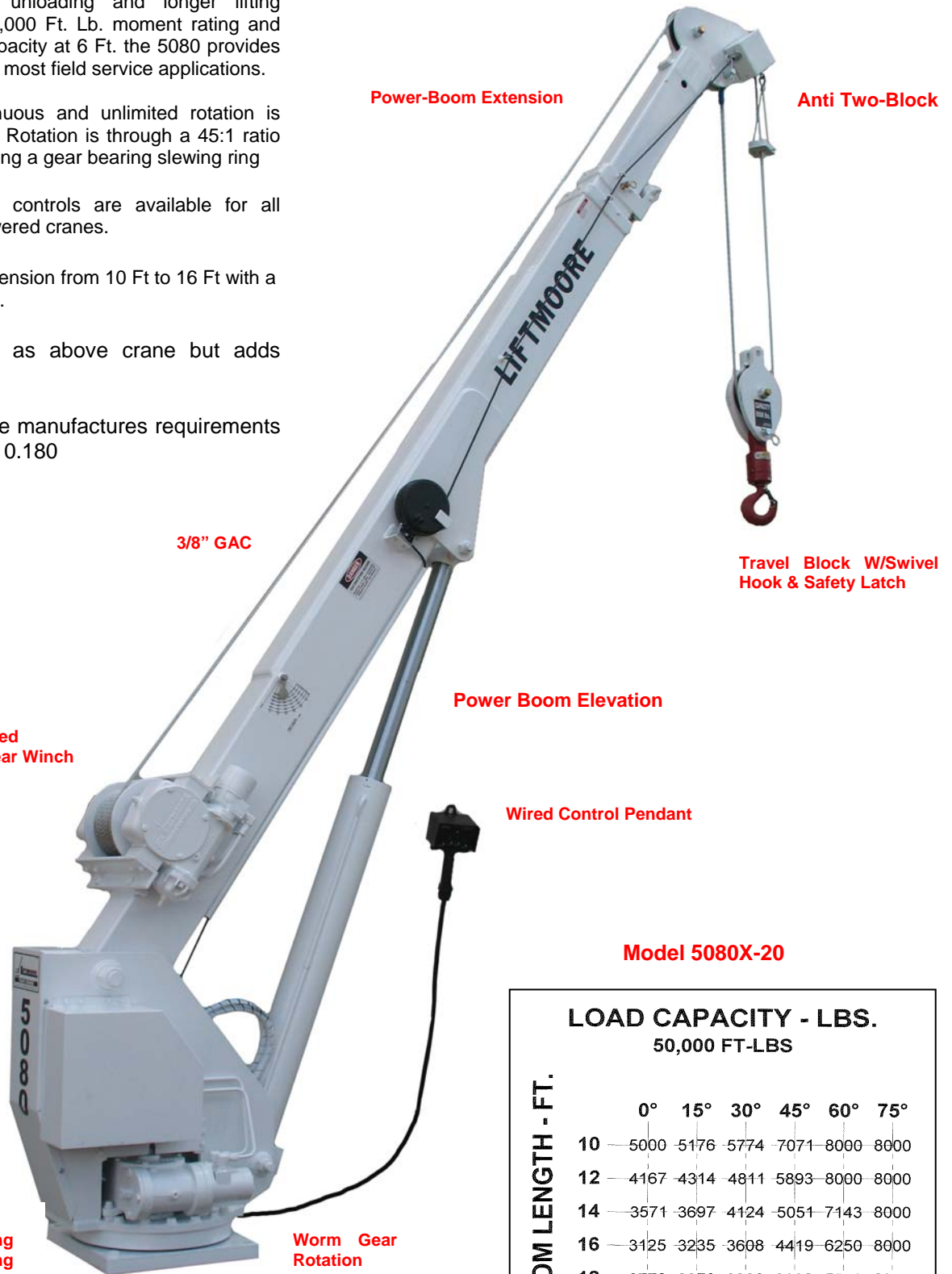
50,000 FT.-LB. MOMENT RATING  
8,000 LB. MAXIMUM CAPACITY

Liftmoore's 5080 all hydraulic powered crane is the crane for your extended duty requirements. This model is designed for applications requiring longer duty cycles such as loading or unloading and longer lifting operations. With its 50,000 Ft. Lb. moment rating and 8,000 Lb. maximum capacity at 6 Ft. the 5080 provides the needed capacity for most field service applications.

360 degrees of continuous and unlimited rotation is standard on the 5080. Rotation is through a 45:1 ratio worm gear reducer driving a gear bearing slewing ring

**Optional:** Proportional controls are available for all Liftmoore hydraulic powered cranes.

- **5080X-20** Power extension from 10 Ft to 16 Ft with a manual pull out to 20 Ft.
- **5080XP-20** Same as above crane but adds Proportional Controls
- The 5080 meets the manufactures requirements of OSHA 29 CFR 1910.180



Pressure Compensated Flow Control

ANSI Rated Worm Gear Winch

Rotates on Gear Bearing Slewing Ring

Worm Gear Rotation



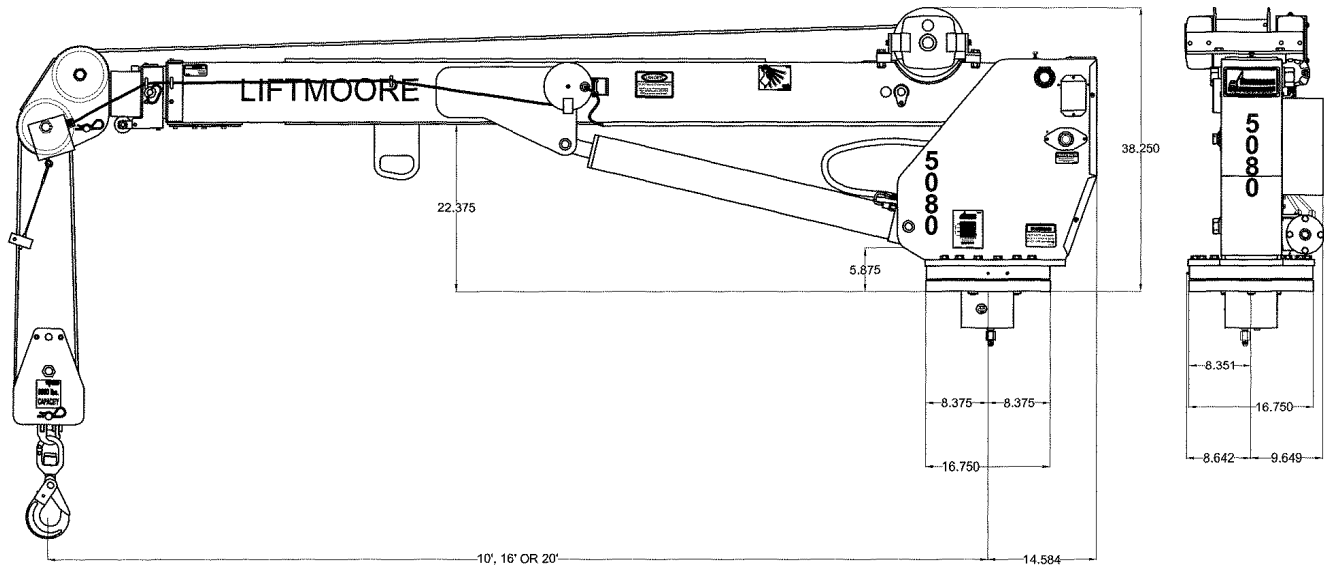
HOUSTON, TEXAS  
FAX: (800) 824-5559 (USA & Canada)  
FAX: (713) 688-6324  
PHONE: (713) 688-5533  
www.liftmoore.com

**Model 5080X-20**

LOAD CAPACITY - LBS.		50,000 FT.-LBS					
BOOM LENGTH - FT.							
	0°	15°	30°	45°	60°	75°	
10	5000	5176	5774	7071	8000	8000	
12	4167	4314	4811	5893	8000	8000	
14	3571	3697	4124	5051	7143	8000	
16	3125	3235	3608	4419	6250	8000	
18	2778	2876	3208	3928	5556	8000	
20	2500	2588	2887	3536	5000	8000	

713-688-5533  
WWW.LIFTMOORE.COM 22381

# 5080 SPECIFICATIONS



## MOMENT RATING:

50,000 Ft.-Lbs.

## HOIST WINCH:

The hoist winch is a worm gear design with 38:1 gear ratio. A multiple disk safety brake is installed on the worm shaft that incorporates a one way clutch that releases on winch up. The winch is powered by a low speed, high torque hydraulic motor. Single line no load speed of the winch is 19 ft. per minute at 6 GPM. Ratio between winch drum and wire rope meets ANSI B30.5 requirements.

** 8000 Lbs. @ 6 ft.	3571 Lbs. @ 14 ft.
** 6250 Lbs. @ 8 ft.	3125 Lbs. @ 16 ft.
** 5000 Lbs. @ 10 ft.	2777 Lbs. @ 18 ft.
** 4166 Lbs. @ 12 ft.	2500 Lbs. @ 20 ft.

\*\* Two part line required for loads above 4000Lbs.

## WIRE ROPE and SHEAVES:

The crane is supplied with 95 Ft. of 3/8 in. galvanized aircraft cable. Minimum breaking strength of the rope is 14,400 lbs. The wire rope is outside of the boom and visible for operator's continual inspection. A 4-ton capacity hook with thrust bearing swivel traveling block for easy two-part hookup is included. All sheaves meet ANSI requirements.

## BOOM ELEVATION:

The boom is capable of moving from -5 to +75 Degrees. It is elevated by a 4.50 in. bore, double acting cylinder. The cylinder has an integral counterbalance valve with relief set at 2750 PSI. The counter balance valve will hold the cylinder in the event of hose failure and it controls the rate of boom descent.

## BOOM EXTENSION:

The boom is extended hydraulically from 10 Ft. to 16 Ft. by a 3" bore hydraulic cylinder and is extended manually from 16 ft. to 20 ft. with one intermediate position at 18 Ft. The extension cylinder is mounted inside the boom for protection and includes a counterbalance valve for holding the load in case of hose failure. The power extendable portion of the boom slides on nylatron slide pads for minimum friction.

## HYDRAULIC SYSTEM:

For smooth operation and minimum heat buildup a pressure compensated flow control system is used. The system will not build up pressure above the level required to operate a function. This reduces the heat buildup in the oil and the power required from the engine. Directional control valves are mounted in a series circuit.

## ROTATION SYSTEM:

Rotation is 360 degrees continuous and unlimited on a gear bearing with an internal gear driven by a worm gearbox. The worm gearbox ratio is 45:1 and it is driven by a low speed, high torque hydraulic motor.

## REMOTE PENDANT CONTROL:

A 25-Ft. long remote pendant is provided for control of each powered function. The Pendant control is removable from the crane to prevent unauthorized use of the crane.

The **optional Proportional Control System** for this model allows precise handling of the load as the operator has control of the flow rate to the direction valve.

Wireless Control is available on this crane.

## LOAD SENSOR

A load-limiting sensor is installed in the elevation cylinder. This sensor will shut down hoist up, boom out & boom down when an overload is detected. The sensor will reset after the load is lowered.

## ELECTRICAL:

The 5080 crane's powered functions are all controlled by 12V DC. electric solenoid valves. 25Ft. of 10 gauge wire and a 15 Amp fuse are included.

## ANTI TWO-BLOCK:

The anti two-block is standard on this crane and prevents extending the boom against the travel block with possible breakage of the cable

## MOUNTING:

It is recommended that this unit be mounted on a 20,000-Lb or larger GVWR chassis. Four 1" Grade 8 bolts are required. Bolts are not furnished. Mounting plate is 16-3/4" square with a 14-3/4" square bolt pattern.

## ACCESSORIES:

An outrigger is needed for stability requirements of OSHA 1910.180. A Boom rest is also required. Liftmoore offers both as options.



HOUSTON, TEXAS  
 FAX: (800) 824-5559 (USA & Canada)  
 FAX: (713) 688-6324  
 PHONE: (713) 688-5533  
 www.liftmoore.com